

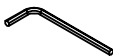



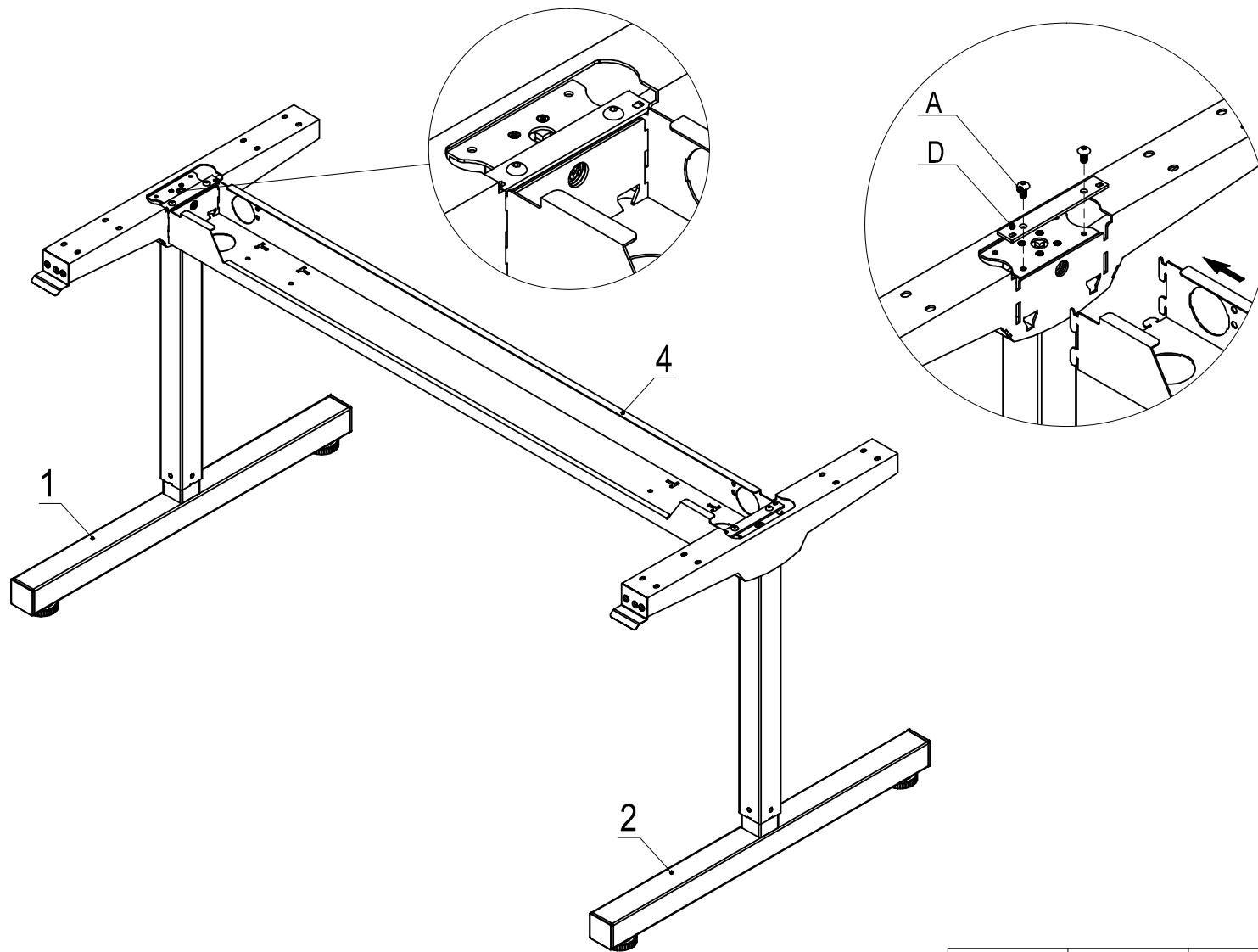

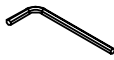



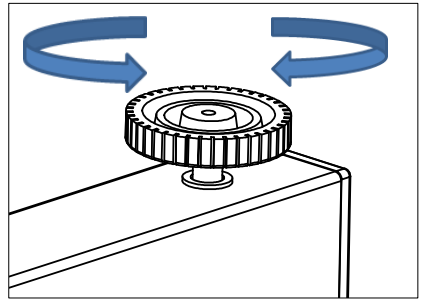
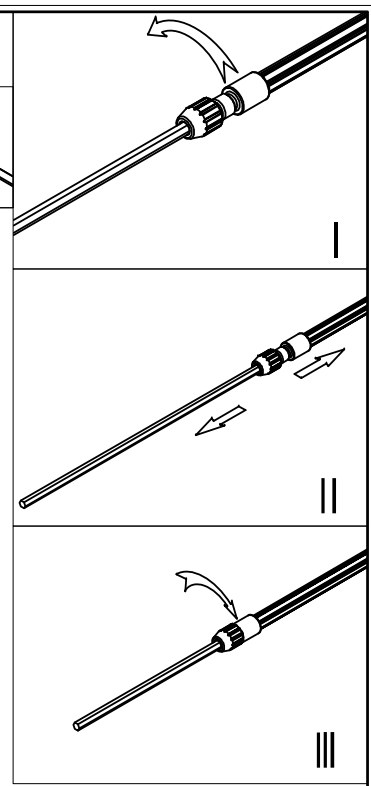
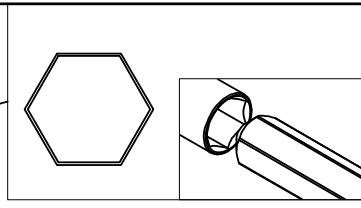
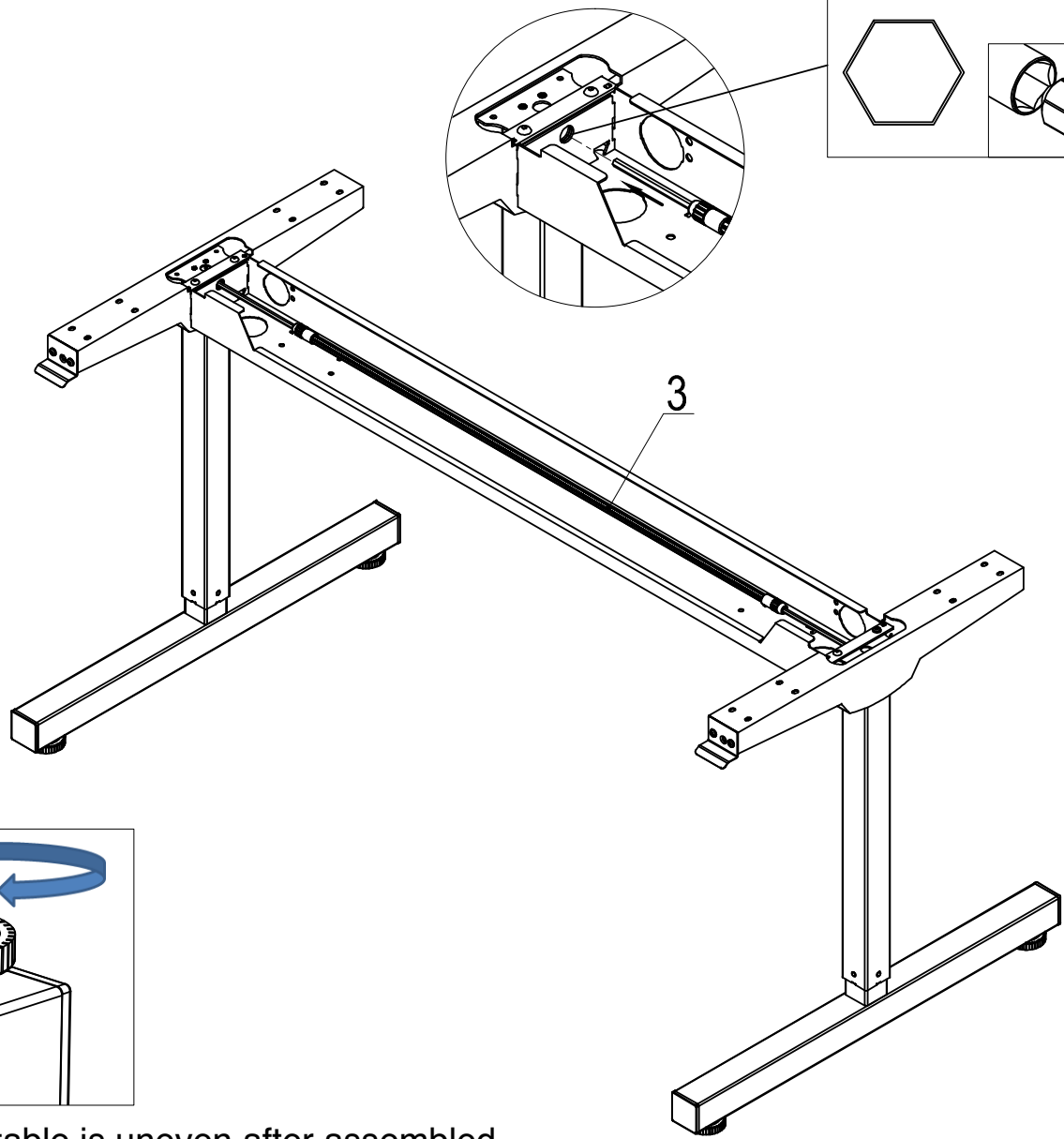
|   |   |   |   |   |   |
|---|---|---|---|---|---|
|  |  |  |  |  |  |
| Ax4(M6x12)  | Bx8(M6x12)  | Cx1(4mm)  | Dx2   | Ex1   | Spare Part  |

# Step 1



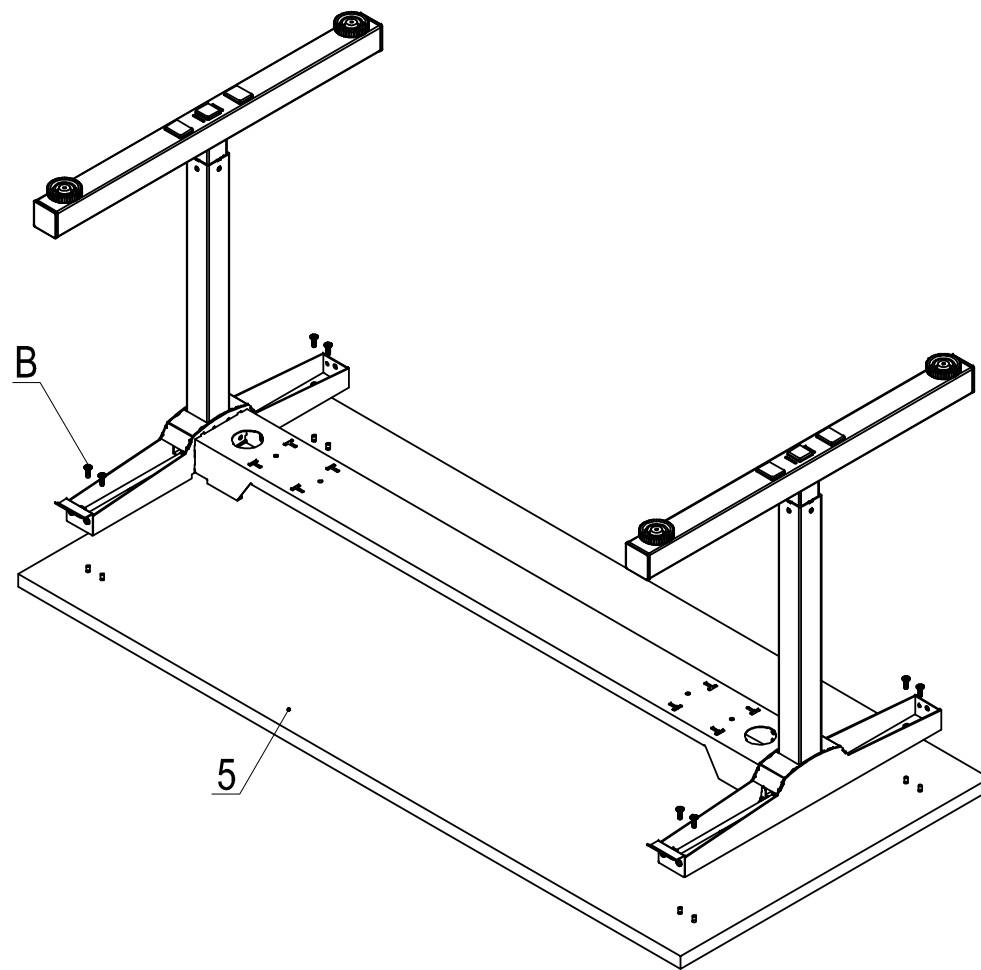
|   |   |   |
|---|---|---|
|  |  |  |
| A x4  | C x1  | D x2  |

Step 2



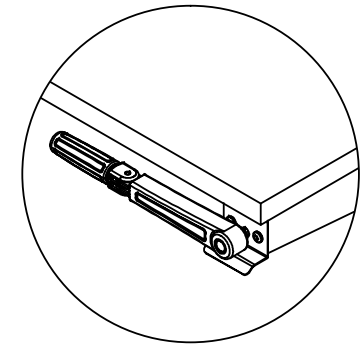
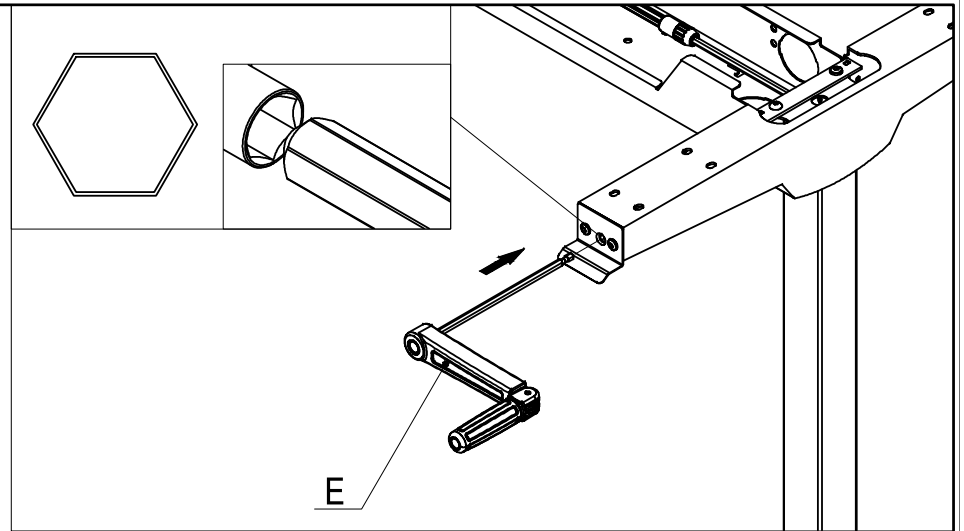
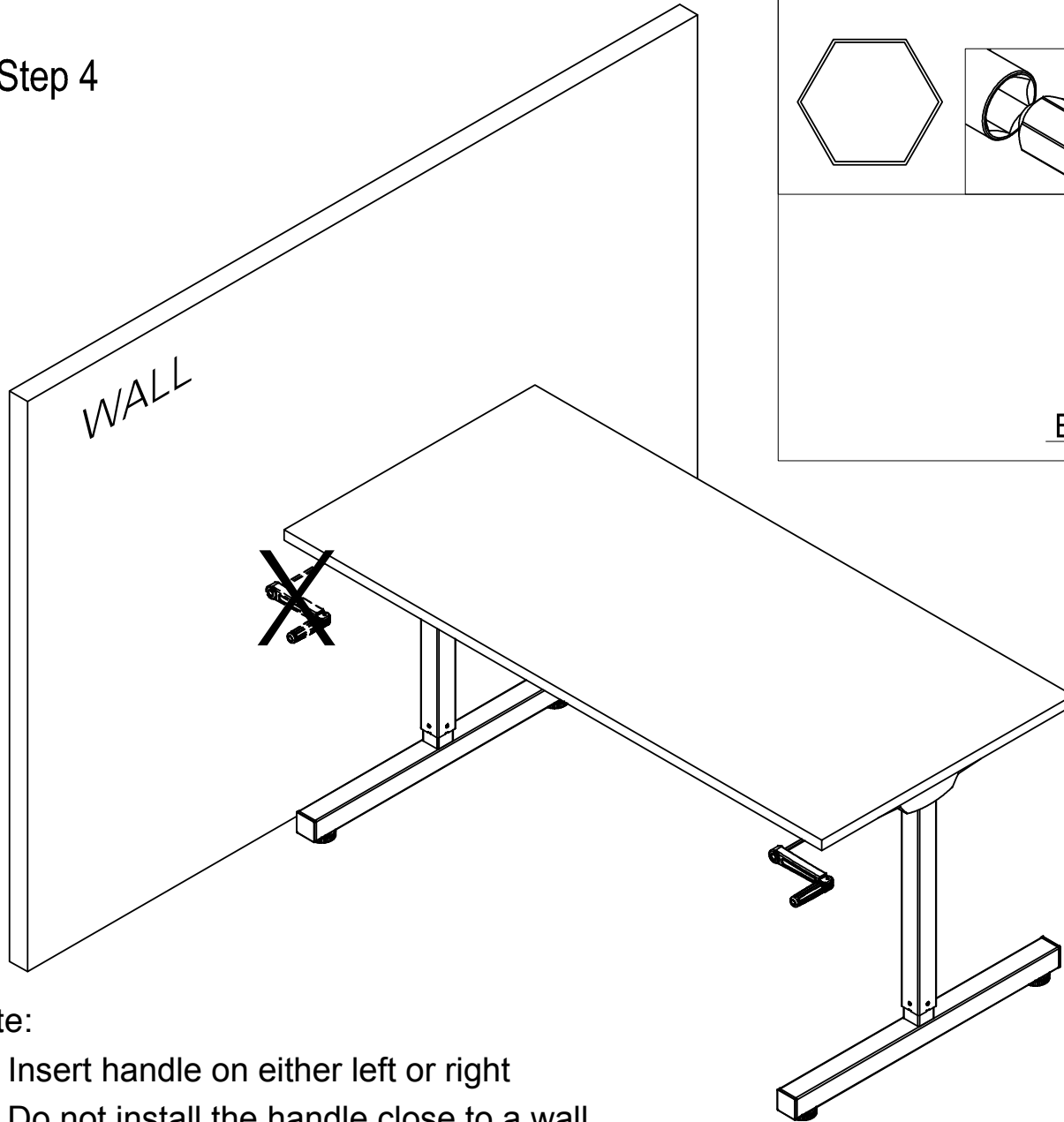
Adjust leveler if table is uneven after assembled

# Step 3



B x8

# Step 4



## Note:

- I. Insert handle on either left or right
- II. Do not install the handle close to a wall

